

Cleveland Park Historical Society

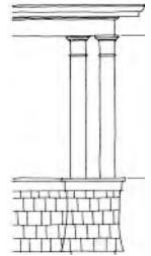
Cleveland Park Day Mini Scavenger Hunt!

1. Lawn and Porch Figurines. The yards and porches of houses in Cleveland Park are often adorned with decorative animals and comical figurines in various shapes and sizes. Can you locate one and provide the street name and block number where you found it?



What is it?: _____
 Street name and block #: _____

2. Porch Columns. A notable feature of Cleveland Park's houses are their front porches with columns. Can you find the house with the most porch columns?


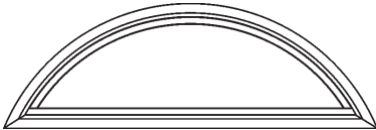



Number of Columns: _____
 Street name and block #: _____

3. Chimneys. Most of the older houses in Cleveland Park all had fireplaces. Their chimneys had to be tall enough to keep sparks from the fire hitting the roof and starting a fire. Can you find the tallest chimney?

Street name and block #: _____

4. Windows. Windows in the homes in Cleveland Park vary greatly in types and styles, often with different style windows on the same house! Can you find examples of the following?

 <p>A. Diamond-shaped window sash</p>	 <p>B. Eyebrow window (Hint: Look at the fronts of roofs)</p>	 <p>C. Bullseye glass pane (Hint: These are often found in front doors)</p>
--	--	--

Please provide the street name and block number for each of the above:

A. _____
 B. _____
 C. _____

Have fun looking for some of the many special features of Cleveland Park's houses! Please email your findings to us at: info@clevelandparkhistoricalsociety.org and we will post your findings on our website at cphsdc.org. For posting your findings, please provide a little information about yourself:

Your first name: _____
 The street where you live: _____